

### PRESSURE REDUCING VALVE (PLBNPRV25)



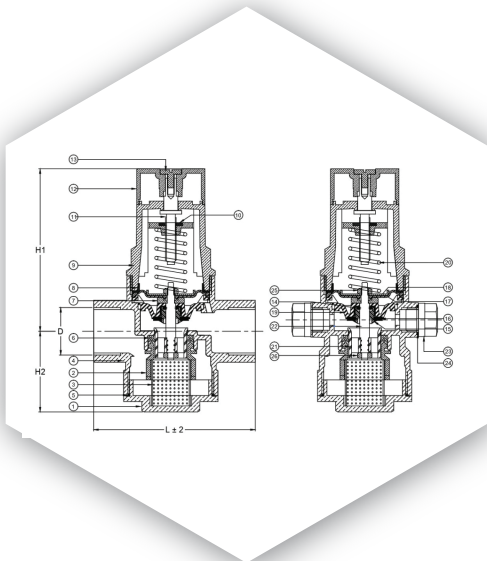
#### FEATURES & BENEFITS

- PRVs enable control of pressure from boosted cold water supplies to match site requirements.
- Light, compact in constructions & short installed length.
- No influence on outlet pressure by fluctuating inlet pressure.
- Screw with knob for setting outlet pressure.
- The adjustment spring is not in contact with the medium.
- Greater flow performance with lower fall off pressure for consistent operation.
- Excellent controllability.

#### MATERIAL SPECIFICATION

Part No.	Part Name	Material
1	CAP	BRASS
2	STRAINER GUIDE	STAINLESS STEEL (AISI 316)
3	STRAINER SCREEN	STAINLESS STEEL (AISI 304)
4	BODY	BRONZE (RG5)
5	O RING	RUBBER (EPDM)
6	U RING	RUBBER (EPDM)
7	WASHER	BRASS (CZ 114 OF BS:2872/2874)
8	HOLDING RING	N6
9	BONNET	N6
10	UPPER SPRING DISK	BRASS (CZ 114 OF BS:2872/2874)
11	SECONDARY SPINDLE	BRASS (CZ 114 OF BS:2872/2874)
12	ADJUSTABLE RING	N6
13	SCREW	STAINLESS STEEL (AISI 410)
14	O RING	RUBBER (EPDM)
15	CHECK NUT	STAINLESS STEEL (AISI 304)
16	SEAT RING	RUBBER (EPDM)
17	DIAPHRAGM	RUBBER (EPDM)
18	LOWER SPRING DISCS	MILD STEEL
19	GUIDE	STAINLESS STEEL (AISI 316)
20	SPRING	SPRING STEEL
21	DISC	STAINLESS STEEL (AISI 316)
22	PRIMARY SPINDLE	STAINLESS STEEL (AISI 304)
23	GAUGE PLUG NUT	STAINLESS STEEL (AISI 304)
24	GASKET	TEFLON (PTFE)
25	HEX NUT	STAINLESS STEEL (AISI 304)
26	SPINDLE NUT	STAINLESS STEEL (AISI 304)

#### DIMENSIONAL DRAWINGS



INLET	OUTLET
6 to 25 bar	2 to 10 bar

#### PRESSURE / TEMPERATURE RATING

Pressure Rating	25 bar
Temperature	-10 to 85 °C

#### DIMENSIONS & WEIGHTS

Size	D	L	H1	H2	Weight (kg)
15 MM	1/2" BSP	82	89.5	58	0.90
20 MM	3/4" BSP	90	89.5	58	0.95
25MM	1" BSP	98	111	64.5	1.20
32MM	1-1/4" BSP	130.5	174	126.5	1.45
40MM	1-1/2" BSP	130.5	174	126.5	3.10
50MM	2" BSP	140.5	174	126.5	3.30

#### TEST PRESSURES

Shell	37.5 bar
-------	----------

#### SPECIFICATION

- Integral fine mesh stainless filter.
- Recommend that isolation valves are fitted upstream and downstream of the valve to enable isolation for cleaning of filter.
- Internal threaded connection.

TFL Valves Quality Policy Is Complete Satisfaction Of Customers. According To That We Have Selected QUALITY As A Strategic factor in application to all our organization. Our purpose is to reinforce competitiveness, to ensure customer satisfaction, to improve process related with product quality and guarantee accomplishment of quality requirements.